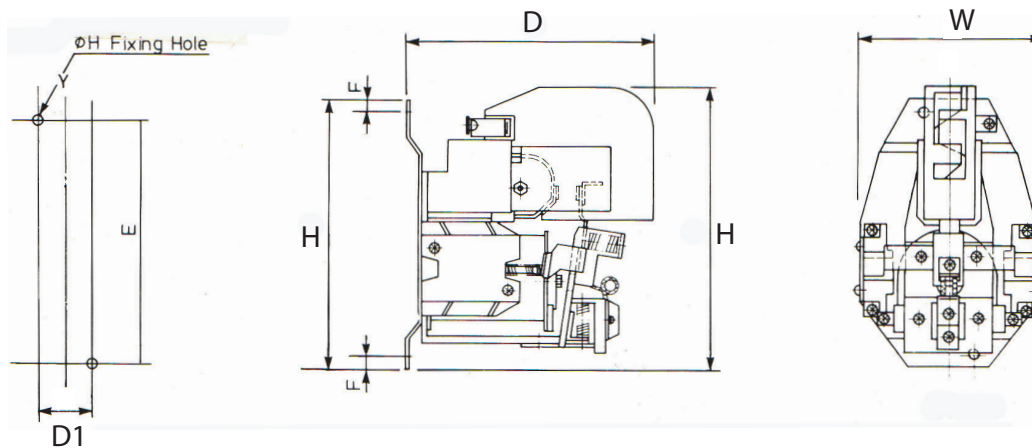




Series LD DC Contactors

750 VDC Max 1050 Amps Max

Part #	Max DC Volts	Max Amps	Poles	Time Constant L/R 15ms	
LDD-31	440VDC	25A	1	100	
LDD-51		50A		200	
LDD-101		100A		400	
LDD-201S	750VDC 750VDC	200A		1	800
LDD-201B					
LDD-401S		400A			1600
LDD-401B					
LDD-701S		700A			2800
LDD-701B					
LDD-1051S	1050A	4200			
LDD-1051B					
LDD-32	440VDC	25A	2	100	
LDD-52		50A		200	
LDD-102		100A		400	



Type	W	H	D	D1	E	F
LDD 31, 51	125	173	150	30	158	7.5
LDD 101	125	183	165	30	158	7.5

Contact Factory for additional Specifications & Pricing