


SPECIFICATIONS	KEY FEATURES	
<p><b>CE, EN 954-1 EN 60947-5-1/2/3</b></p> <p>24V DC, 15ma max. supply -15% +10%</p> <p>2 closed contacts, 250ma max.</p> <p>1-5mm "ON" switching distance</p> <p>7mm opening switching "OFF" distance</p> <p>30 G Shock Resistance</p> <p>NEMA 4X, IP67</p>	<ul style="list-style-type: none"> <li>• Compact</li> <li>• Attractive \$ Value</li> <li>• LED indicates "ON" actuation</li> <li>• Polycarbonate Housings</li> <li>• Waterproof</li> </ul>	<div style="border: 1px solid black; padding: 5px; width: fit-content; margin: 0 auto;">Solid state design</div>  <p>OPTOPUS Series List Price</p>

Switch + Magnet Part#	Safety Contacts*	List
-----------------------	------------------	------

OPTOPUS      2 closed

\*Contacts listed with power "ON" and door "CLOSED".

Daisy chained in series with one AWAX module = **Level 3** capability.

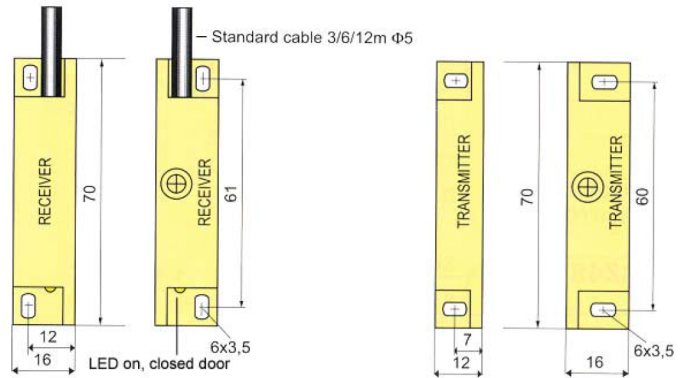
One OPTOPUS with AWAX 45 XXL safety module = **Level 4** capability.

Standard cable length 9.75 ft.

### Dimensions

#### Switch & Module

#### Coded Magnet



Views: Top      Side

Top      Side

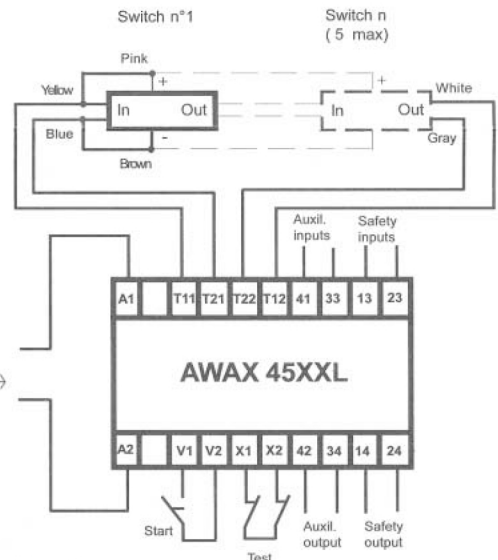
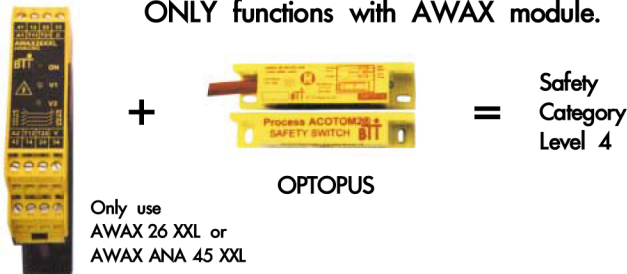
All wiring diagrams with power "OFF" and door "OPEN" or "CLOSED".

### Electrical Diagram

All wiring diagrams with power "OFF" and door "OPEN" or "CLOSED".



ONLY functions with AWAX module.



\* example with AWAX ANA45 see page 47.